

Electronic Audible Signal Devices / Electronic Buzzers Installation 107  
**Installation Buzzer Pulse 115-230VAC**


Part No.: 107.010.60

**MECHANICAL DATA**

|                              |                             |
|------------------------------|-----------------------------|
| Height                       | 61 mm                       |
| Diameter                     | 28 mm                       |
| Materials                    | PA-GF                       |
| Housing colour               | Black                       |
| Protection category          | IP65                        |
| Connection                   | Screw terminals             |
| cross-sectional area maximum | 1,50mm <sup>2</sup> / 16AWG |
| Type of fixing               | Built-in mounting           |
| Working temperature minimum  | -20°C                       |
| Working temperature maximum  | +50°C                       |
| Weight with packaging        | 32 g                        |
| Product weight               | 20 g                        |

**ELECTRICAL DATA**

|                             |                           |
|-----------------------------|---------------------------|
| Operating voltage           | 115-230V                  |
| Operating voltage type      | AC                        |
| Operating voltage frequency | 50Hz at 230V              |
| Operating voltage tolerance | +/- 10%                   |
| Rated operational voltage   | 230 VAC                   |
| Rated operational current   | 12 mA                     |
| Rated inrush current        | 360 mA                    |
| Protection class            | Protection class 2        |
| Pollution degree            | 3                         |
|                             | In the connection area: 2 |
| Isolation voltage           | Ui = 250V; Uimp = 2.500V  |

**ACOUSTIC DATA**

|                               |                 |
|-------------------------------|-----------------|
| Volume (max) at 1m distance   | 60,0 dB (A)     |
| Volume (max) at 10cm distance | 80,0 dB (A)     |
| Acoustic signal image         | Pulse tone      |
| Number of tones               | 1 tone          |
| Audio frequency               | 2400 Hz         |
| Acoustic service life         | 5,000 h minimum |

**APPROVAL DATA**

|                              |     |
|------------------------------|-----|
| Conforms with CE             | Yes |
| WEEE                         | Yes |
| Conforms with ATEX-directive | No  |
| Conforms with CCC            | No  |

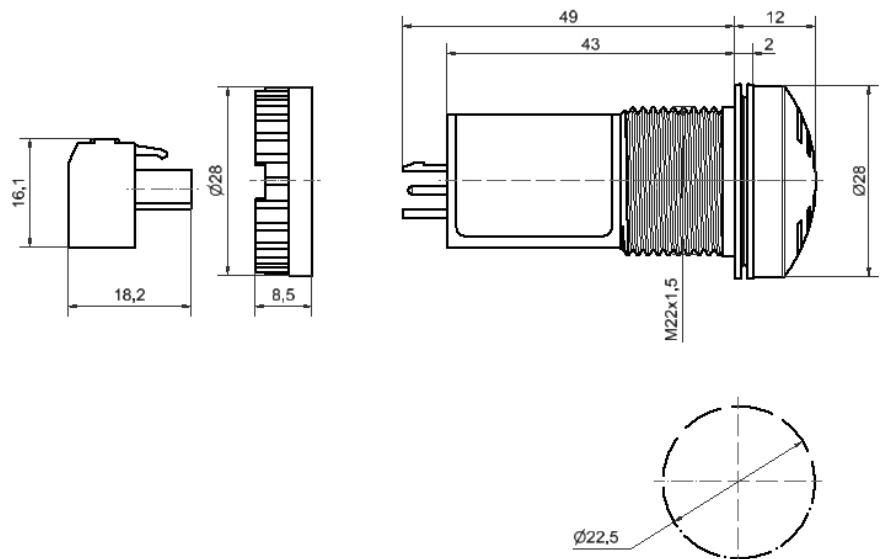


For additional installation and mounting information, refer to the appropriate user guide at [www.werma.com](http://www.werma.com). This printed copy is for information only and is subject to alteration.

Electronic Audible Signal Devices / Electronic Buzzers Installation 107  
**Installation Buzzer Pulse 115-230VAC**

|                               |                       |
|-------------------------------|-----------------------|
| Conforms with UL              | cULus                 |
| UL Type Rating                | Type 4X               |
| Conforms with FCC             | No                    |
| Conforms with IC              | No                    |
| EAC certificate available     | Yes                   |
| Conforms with UKCA (Importer) | Yes (WERMA (UK) Ltd.) |
| Conforms with AS-I            | No                    |
| Conforms with DNV             | No                    |
| Conforms with RoHS CN         | No                    |
| Conforms with VdS             | No                    |
| MTTF-value [years]            | 2493                  |

**DRAWING**



! For additional installation and mounting information, refer to the appropriate user guide at [www.werma.com](http://www.werma.com). This printed copy is for information only and is subject to alteration.